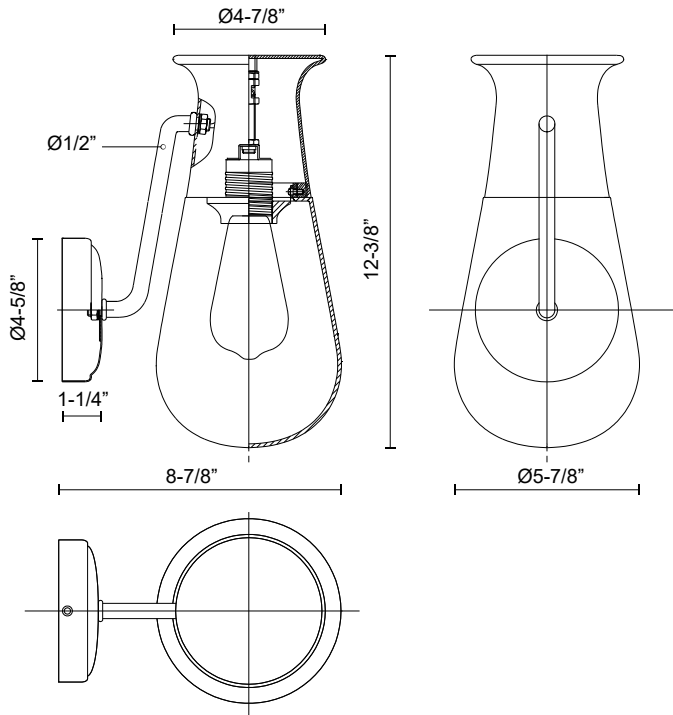


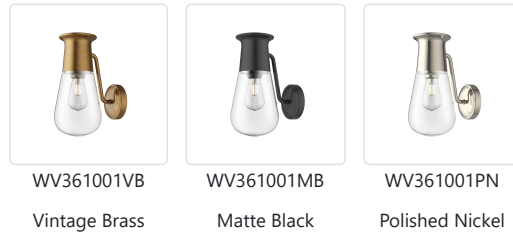
MARCEL WV361001VB

FIXTURE DIMENSIONS	W5-7/8" x H12-3/8" x E8-7/8"
HEIGHT FROM CENTER	8-1/8"
EXTENSION	8-7/8"
LAMP TYPE	E26
MAX WATTAGE	60W
BULB QTY	1
VOLTAGE	120V
GLASS DETAILS	Clear Glass
MATERIAL	Brass; Steel;
LOCATION	Damp
BARCODE	691759061079
CANOPY DIMENSIONS	D4-5/8" x E1-1/4"
FINISH OPTION(S)	Vintage Brass

[D - Diameter, L - Length, W - Width, H - Height, E - Extension]



AVAILABLE FINISHES:



*For complete warranty terms, please visit: www.aloralighting.com/warranty